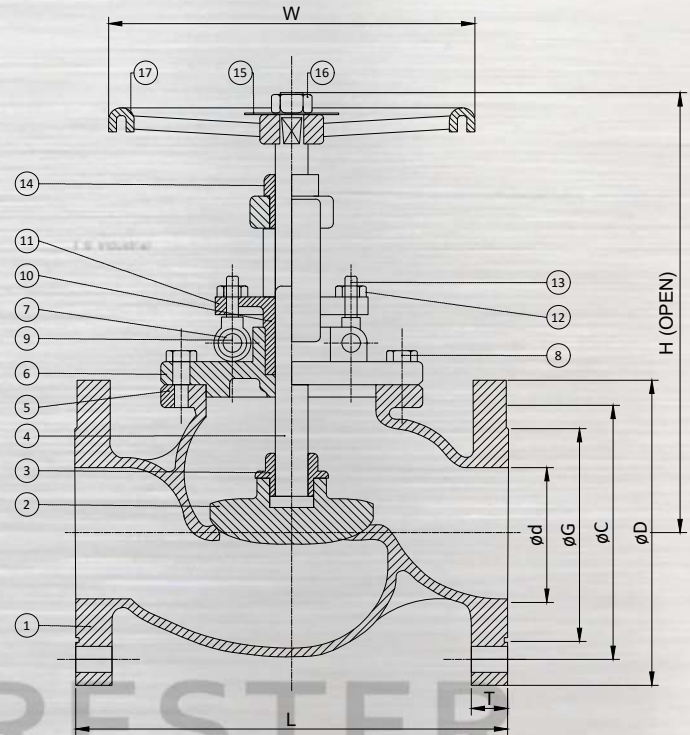


# Flanged End Globe Valve



ITEM	PARTS	MATERIALS
1	BODY	ASTM A351-CF8M
2	DISC	
3	DISC COVER	
4	STEM	AISI 316
5	GASKET	PTFE/304+GRAPHITE
6	BONNET	ASTM A351-CF8M
7	GLAND PACKING	PTFE
8	BONNET BOLT	AISI 304
9	HINGE PIN	
10	SLEEVE	PTFE
11	GLAND	ASTM A351-CF8
12	NUT	AISI 304
13	EYE BOLT	
14	YOKE SLEEVE	BRONZE
15	NAME PLATE	AISI 304
16	NUT	
17	HANDWHEEL	FCD 400
18	SPRING WASHER	AISI 304

\*8" UP GASKET: 304+GRAPHIT

## FEATURES

- 1/2"~24" (DN15~DN600)
- W. P.: PN16 CLASS 150/300/600 JIS 10K
- W. T.: -20°C ~200°C (-4°F ~ 392°F)
- Investment casting
- Rising stem

DN	d	L	H	W	D	C	G	T	f	N	M
15	15	108	178	140	89	60.5	35	12.1	1.6	4	16
20	20	117	181	140	98	70	43	12.1	1.6	4	16
25	25	127	200	140	108	79.5	51	12.1	1.6	4	16
32	32	140	243	160	117	89.5	64	12.7	1.6	4	16
40	40	165	245	160	127	98.5	73	14.3	1.6	4	16
50	50	203	258	200	152	120.5	92	15.9	1.6	4	19
65	65	216	310	200	178	139.5	105	17.5	1.6	4	19
80	80	241	325	250	190	152.5	127	19.1	1.6	4	19
100	100	292	390	250	229	190.5	157	23.9	1.6	8	19
125	125	256	472	300	254	216	186	23.9	1.6	8	22
150	150	406	531	350	279	241.5	216	25.4	1.6	8	22
200	200	495	669	350	343	298.5	270	28.6	1.6	8	22
250	250	622	824	500	406	362	324	30.2	1.6	12	25
300	300	698	950	500	483	432	381	31.8	1.6	12	25

unit: mm

DN	d	L	H	W	D	C	G	T	f	N	M
1/2"	0.59	4.3	7.0	5.5	3.50	2.4	1.4	0.5	0.1	4	0.6
3/4"	0.79	4.6	7.1	5.5	3.9	2.8	1.7	0.5	0.1	4	0.6
1"	0.98	5.0	7.9	5.5	4.3	3.1	2.0	0.5	0.1	4	0.6
1-1/4"	1.26	5.5	9.6	6.3	4.6	3.5	2.5	0.50	0.1	4	0.6
1-1/2"	1.57	6.5	9.7	6.3	5.0	3.9	2.9	0.6	0.1	4	0.6
2"	1.97	8.0	10.2	7.9	6.0	4.7	3.6	0.6	0.1	4	0.8
2-1/2"	2.56	8.5	12.2	7.9	7.0	5.5	4.1	0.7	0.1	4	0.8
3"	3.15	9.5	12.8	9.8	7.5	6.0	5.0	0.8	0.1	4	0.8
4"	3.94	11.5	15.4	9.8	9.0	7.5	6.2	0.9	0.1	8	0.8
5"	4.92	10.1	18.6	11.8	10.0	8.5	7.3	0.9	0.1	8	0.9
6"	5.91	16.0	20.9	13.8	11.0	9.5	8.5	1.00	0.1	8	0.9
8"	7.87	19.5	26.3	13.8	13.5	11.8	10.6	1.1	0.1	8	0.9
10"	9.84	24.5	32.4	19.7	16.0	14.3	12.8	1.2	0.1	12	1.0
12"	11.8	27.5	37.4	19.7	19.0	17.0	15.0	1.3	0.1	12	1.0

unit: in



### FEATURES

- 1.- 3/8" - 2" (DN10 - DN50)
- 2.- W.P. 800 LB
- 3.- W.T. -29°C ~ 180°C (-4°F ~ 392°F)
- 4.- Forged Steel
- 5.- "Socket weld end to ASME B16.11  
Screwed ends (NPT) to ANSI/ASME B 1.20.1"
- 6.- Full port
- 7.- Two piece self aligning packing gland

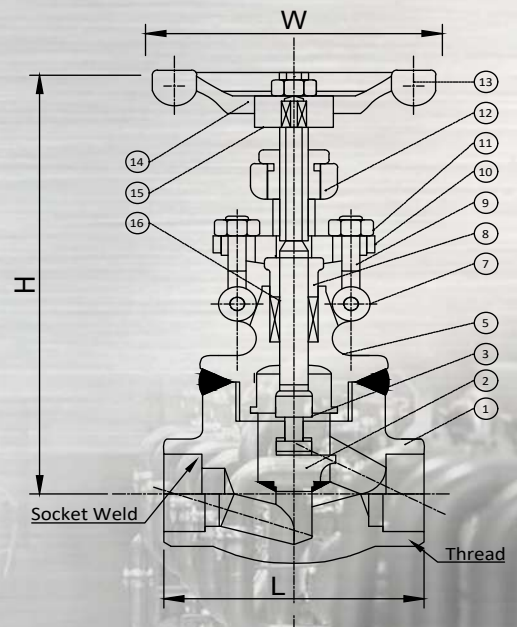
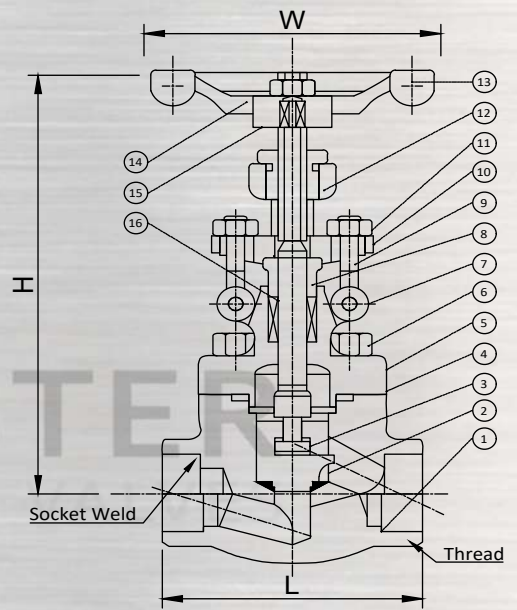
### Standard Material Specifications

Item	Parts	SS to ASTM	
		Type F304(L)	Type F316(L)
1	Body	A182 F304(L)	A182 F316(L)
2	Disc	A276 304	A276 F316(L)
3	Stem	A182 F304(L)	A182 F316(L)
4	Gasket	SS + PTFE	
5	Bonnet	A276 304 (L)	A182 F316(L)
6	Bonnet Bolt	A193 B8	A193 B8M
7	Pin	A182 304(L)	
8	Gland	A182 F304(L)	A182 F316(L)
9	Gland Eyebolt	A193 B8	A193 B8M
10	Gland Flange	A351 CF8	
11	Gland Nut	A194 8	A194 8M
12	Yoke Nut		
13	H. W. Lock Nut	A194 8	A194 8M
14	Nameplate	SS	
15	Hand wheel	A197	
16	Stem Packing	PTFE	
Suitable Medium		HNO <sub>3</sub> CH <sub>3</sub> COOH etc	
Suitable Temperature		-29°C~180°C	

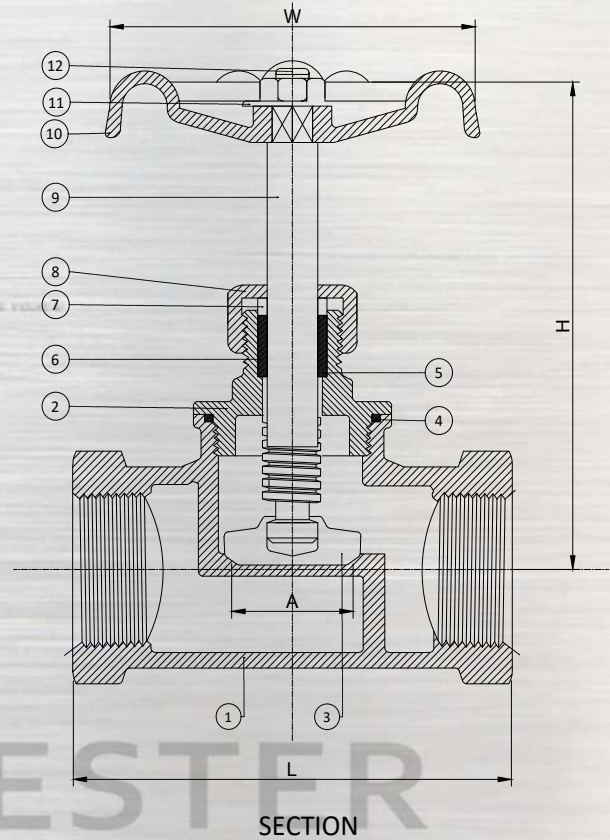
CS=Carbon Steel; SS=Stainless Steel;

### Dimensions (mm) and Weights (Kg)

NPS	Full	3/8 "	1/2 "	3/4"	1"	1-1/4"	1-1/2"	2"
L		79	92	111	120	152	172	200
H (OPEN)		166	171	207	240	258	330	355
W		100	100	125	160	160	180	200
Weights	Bolted	1.9	2.1	3.5	6	7.5	11.4	14.6
	Welded	1.7	1.9	3.3	5.2	6.8	10.6	13.8



# Screwed End Globe Valve



ITEM	PARTS	MATERIALS
1	BODY	ASTM A351-CF8M
2	BONNET	
3	DISC	
4	SEAL	PTFE
5	WASHER	AISI 304
6	PACKING	PTFE
7	GLAND RING	AISI 304
8	CAP NUT	ASTM A351-CF8M
9	STEM	AISI 316
10	HANDLE	ALUMINUM
11	NAMEPLATE	
12	STEM NUT	AISI 304

## FEATURES

- 1/4"~2" (DN8~DN50)
- W. P.: 200WOG
- W. T.: -20°C ~200°C (-4°F ~ 392°F)
- Investment casting
- Thread type: ASME B1.20.1 (NPT), DIN 2999 & BS21, ISO228/1 & ISO7/1

DN	L	H	W	A	Weight (kg)
8	52	105.5	70	13.6	0.34
10	52	105.7	70	13.6	0.32
15	52	107	70	13.6	0.33
20	66	116	80	17.6	0.47
25	76	129.2	80	22.6	0.66
32	86	153.5	90	29.5	1.01
40	94	157	100	30.5	1.29
50	118	172	100	42.5	1.82

unit: mm

DN	L	H	W	A	Weight (lb)
1/4"	2.05	4.15	2.76	0.54	0.75
3/8"	2.05	4.15	2.76	0.54	0.71
1/2"	2.05	4.21	2.76	0.54	0.73
3/4"	2.6	4.57	3.15	0.69	1.04
1"	2.99	5.09	3.15	0.89	1.46
1-1/4"	3.39	6.04	3.54	1.16	2.23
1-1/2"	3.7	6.18	3.94	1.2	2.84
2"	4.65	6.77	3.94	1.67	4.01

unit: in